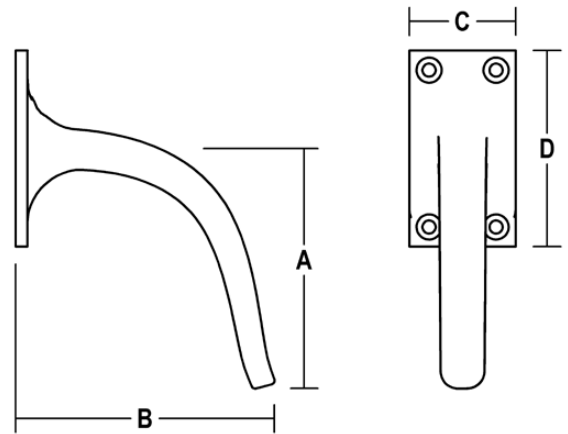


ARM PULL W/ RECTANGULAR BASE

H419



NO.	A	B	C	D
H419	3.625"	4"	1.625"	3"

FINISHES CHART:

NBHA	BHMA	NBHA	BHMA
3	605	20L	623
4	606	20D	624
5	609	26	625
9	611	26D	626
10	612	28	628
10B	613	K29	711
10BE	613E	34	
14	618	P	600
15	619	PC	
19	671		

FEATURED FINISHES: Flat Black (19), Satin Chrome (26D), Antimicrobial (AM)

FINISHES: Standard & Custom Available (See Finishes Chart)

MATERIALS: Cast Aluminum, Brass, Bronze